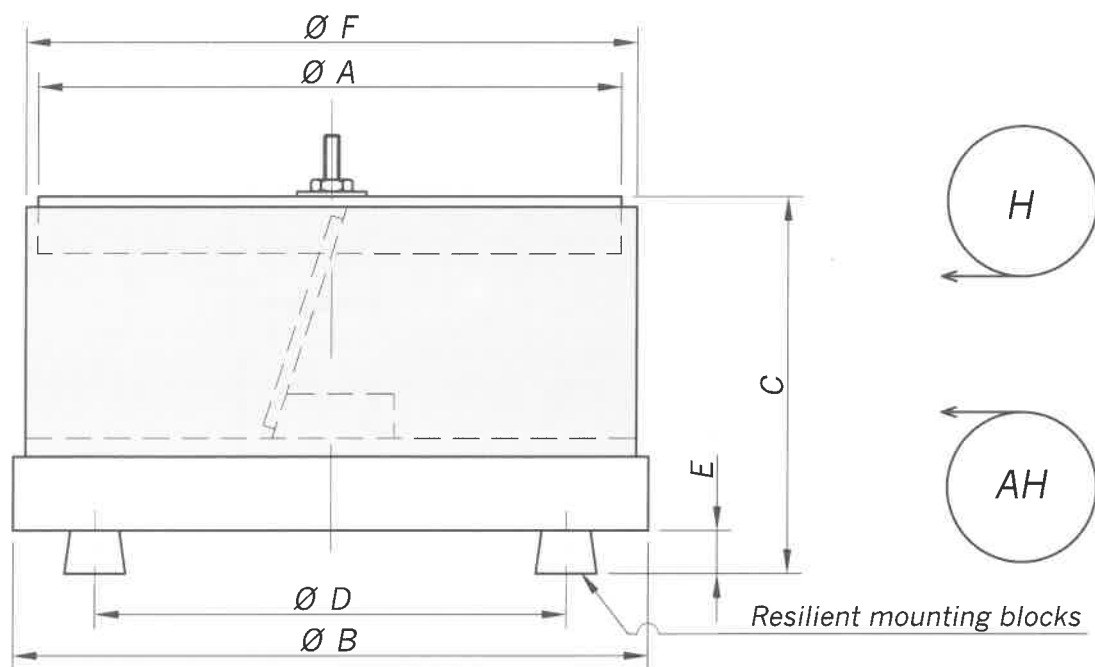


VIBRATORY DRIVE UNITS

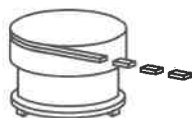
Two degrees of freedom of movement



Unit model	Dimensions (mm)						Weight ~kg	Resilient mounting blocks (see A-02.00)		Max. power consumption (Amp)
	A (\varnothing)	B (\varnothing)	C (~)	D (\varnothing)	E (~)	F (\varnothing)		Quant.	Code	
VA-00	75	80	73	62	10	84	1,2	3 (120°)	00349-	0,11
VA-05	110	115	105	88	15	119	3,2	3 (120°)	00350-	0,33
VA-15	140	160	135	128	22	154	8	3 (120°)	00351-	0,65
VA-25	216	246	175	196	25	234	20	3 (120°)	00352-	1,4
VA-26	216	246	215	196	25	234	24	3 (120°)	00352-	0,8
VA-35	310	340	233	294	25	324	46	3 (120°)	00352-	2,2
VA-36	310	340	248	294	25	324	53	3 (120°)	00352-	1,3
VA-45	394	434	260	384	35	418	72	4 (90°)	00353-	3,4
VA-46	394	434	280	384	35	418	91	4 (90°)	00353-	2,6
VA-61	540	590	305	520	35	574	160	4 (90°)	00353-	4,2
VA-76	680	740	355	650	36	714	323	6 (60°)	00354-	6,2
VA-86	820	880	482	780	50	850	634	6 (60°)	00355-	11,9

NOTES

1. The "C" dimension may vary slightly, equivalent in value to the variations of the "E" dimension (manufacture tolerance of the resilient mounting blocks and compression, depending on the hardness and weight supported -see technical information sheet A-02.00-).
2. All models available in clockwise (H) and anticlockwise (AH) versions.
3. Various different types of drive unit are available for use with each vibrator model (see technical information sheets E-01.10, E-01.11, E-01.20, E-01.21, E-01.30, E-01.31, E-01.40 and E-01.41.).
4. The rated power consumption shown is the maximum corresponding to a standard connection: 230 V (single fase) / 50 or 60 Hz.



Técnicas de Alimentación Dinámica, S.L.



Crom, 11-13 - E-08907 L'HOSPITALET DE LLOBREGAT (Barcelona)
Tel. +34 93 263 14 20* (8 líneas) - Fax +34 93 263 31 30
E-mail: cial@tadvibracion.com - export@tadvibracion.com

E-01.00

01/03/02